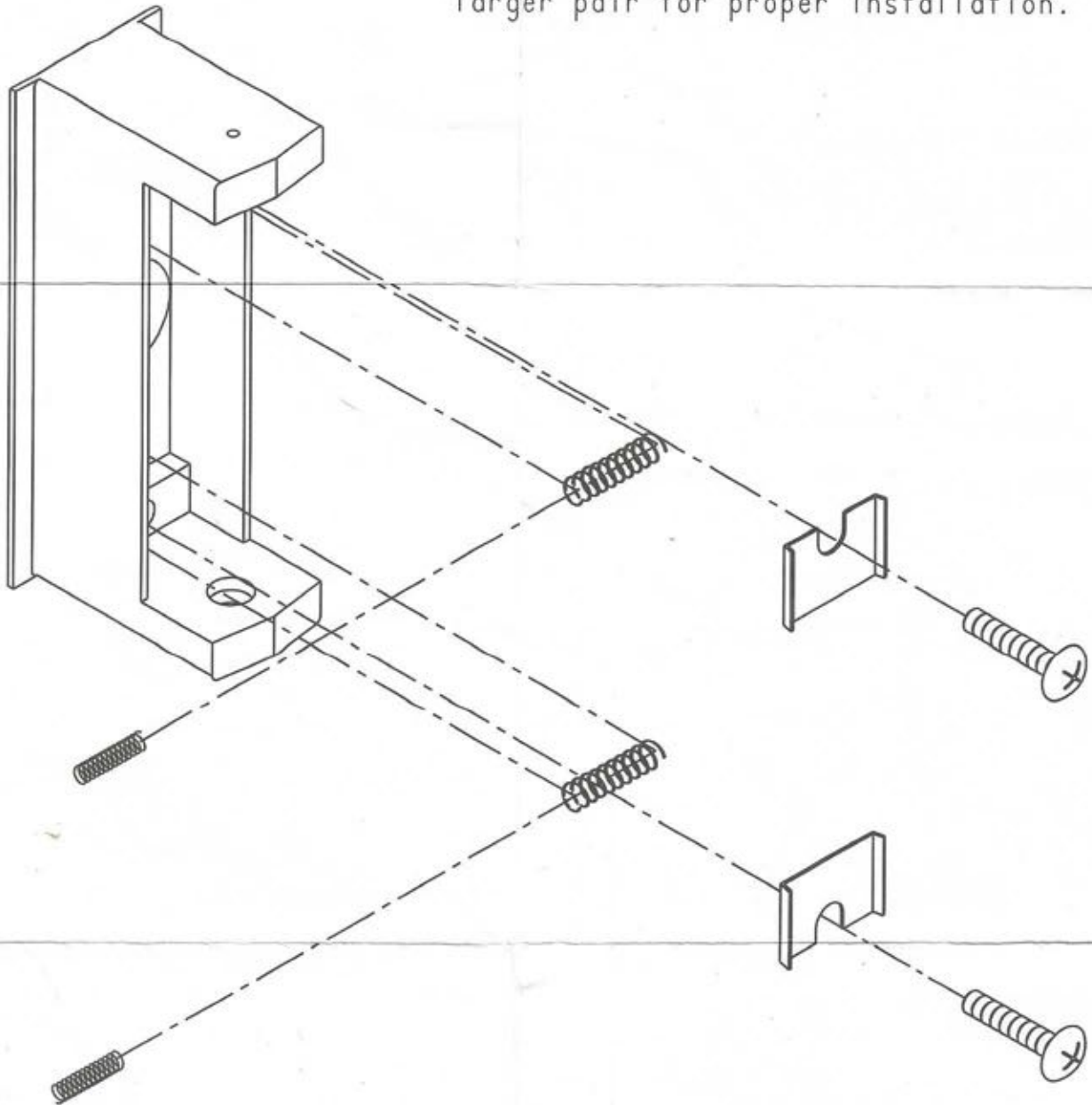


Assemble the spring pairs as shown.
Insert the smaller springs inside the
larger pair for proper installation.



Adams Rite Manufacturing Co.
260 Santa Fe Street,
Pomona, CA 91767
Phone: 909-632-2300
Fax: 909-632-2369
www.adamsrite.com

80-0180-4590

4590 / 4591 / 4781
LATCH PADDLE

Rev. A Ecn 11518 Date: 03/18/10 Page 1 of 1 Appvd: MP