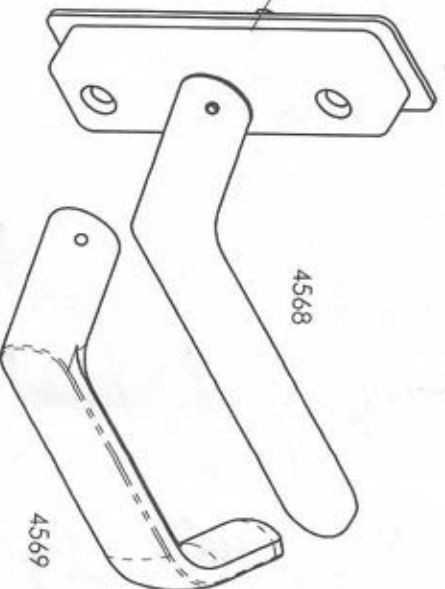
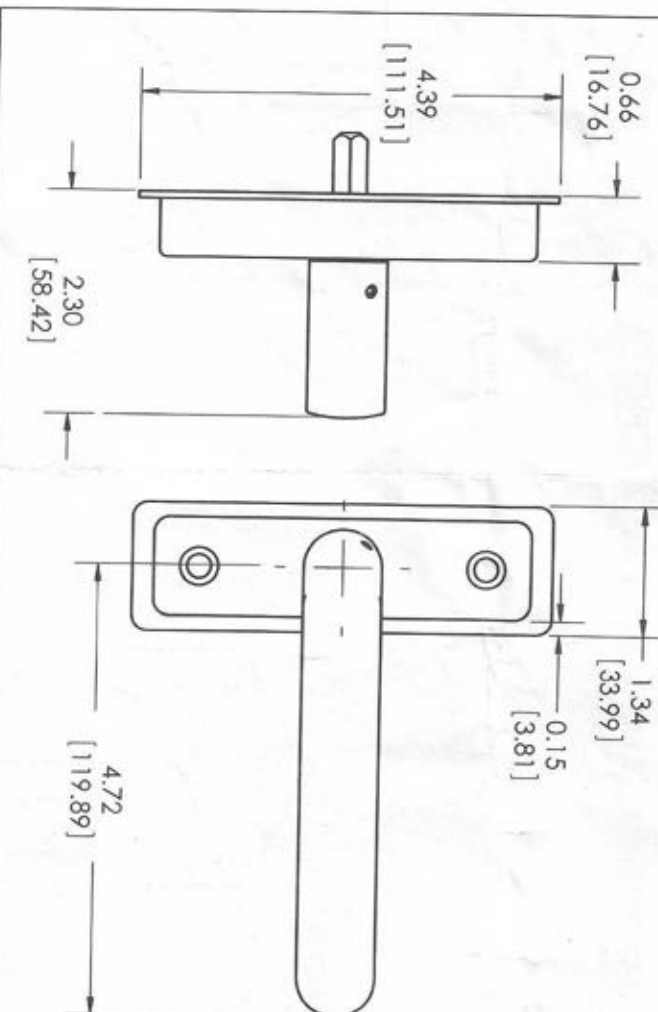
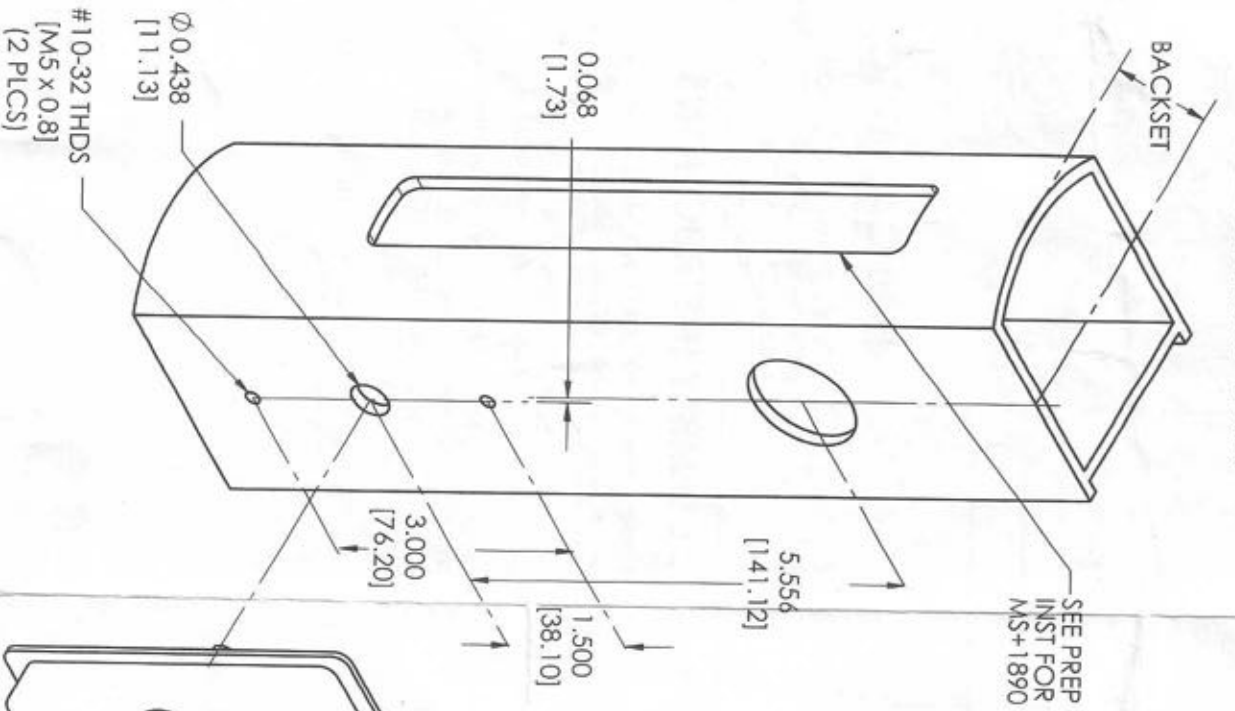


FOR USE WITH MS+1890



ASSEMBLY INSTRUCTIONS

1. INSTALL MS+1890 LATCH/LOCK IN STYLE.
2. INSTALL THE HANDLE ASSEMBLY, INSERTING THE SQUARE SPINDLE INTO THE HUB OF THE MS+1890. SECURE THE HANDLE ASSEMBLY WITH (2) #10 [M5] SCREWS.
3. TIGHTEN THE SET SCREWS FOR THE CYLINDER, AND INSTALL THE FACE PLATE.

NOTE:

DIMENSIONS IN PARENTHESES ARE IN MILLIMETERS

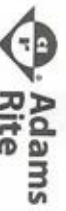
INSTALLATION INSTRUCTIONS

4568 & 4569 EUROSTYLE HANDLES
FOR 1-3/4 [44mm] METAL DOORS

80-0180-99

Rev. D

ECN: 11397D



Adams Rite

ASSA ABLOY

Adams Rite Europe Ltd.
School Street, Willenhall,
West Midlands WV13 3PW
Phone: +44 (0) 845 873 4838
Fax: +44 (0) 845 873 4839
www.adamsrite.co.uk